

# HG4018FCS

**36mm F1.8**  
**for 1/2 type Cameras, Fixed-focal Auto Iris DC Drive**  
**CS-Mount**

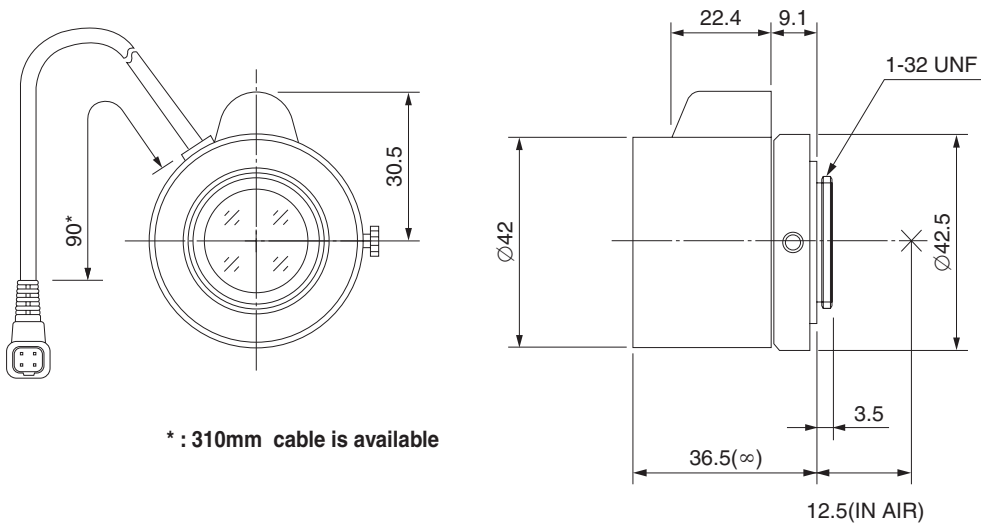
with Focus, w/o Amplifier

Model No.	HG4018FCS		Effective	Front	Ø19.0mm		
Focal Length	36mm		Lens Aperture	Rear	Ø8.6mm		
Max. Aperture Ratio	1:1.8		Back Focal Length		9.6mm		
Max. Image Format	6.4mm x 4.8mm(Ø8mm)		Flange Back Length		12.5mm		
Operation Range	Iris	F1.8 - F125C		Mount	CS-Mount		
	Focus	1.1m - Inf.		Filter Size	M40.5P = 0.5mm		
Control	Iris	DC Auto Iris		Dimensions	Ø42mm x 51.5mm x 36.5mm		
	Focus	Manual		Weight	70g		
Object Dimension at M.O.D.	20cm x 14.6cm						
Angle of View	D	1/2 type	13.4°	1/3 type	10.0°	1/4 type	7.4°
	H		10.6°		7.9°		5.9°
	V		7.9°		5.9°		4.4°
Coil	Drive	190Ω					
	Control	1000Ω					
Operating Temperature	-20°C - +50°C						

**1/2 type**

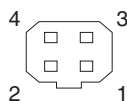
M.O.D : Minimum Object Distance

**Dimensions**



**CS**

**Wiring Diagram**



**Pin No.**

1	BROWN	Control (-)
2	RED	Control (+)
3	YELLOW	Drive (+)
4	ORANGE	Drive (-)